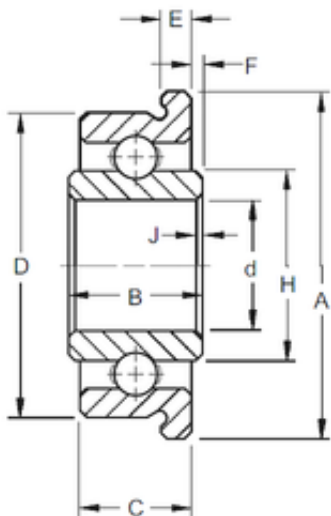




China Abec 5 Bearing Supplier



Life Fitness F3 T3 Treadmill Poly V Motor Drive
Belt 508 J = 200J 8132201

Bearing No. F3

Dimensione	4.762x14.305x5.54 mm
Marchio	Timken
Diametro del foro	4,762 mm
Diametro esterno	14,305 mm
Larghezza	5,54 mm
d	4,762 mm
D	14,305 mm
B	5,54 mm
C	4,95 mm
A	15,88 mm
E	1,07 mm
F	0,38 mm
H	6,93 mm
Peso	0,005 Kg
Carico dinamico di base (C)	1,43 kN

F3 Bearing 2D drawings and 3D CAD models